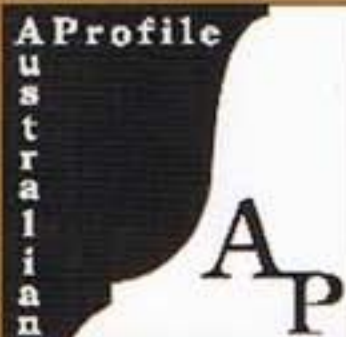


Australian Profile Pty Ltd



15-17 Strong Avenue.
Thomastown, VIC 3074

Telephone: +61(3) 9462 5369
Fax: +61(3) 94626310

Website: www.australianprofile.com.au
Email: queries@australianprofile.com.au

We Make Mouldings ---

Australian Profile specializes in manufacturing exterior light-weighted concrete architectural mouldings for domestic and commercial projects.

At Australian Profile we always ensure our customers have been supplied the highest quality of mouldings in the lowest price possible, as well as providing a service - from design to installation - that fully satisfy our customers' need.

Australian Profile uses only the absolute highest quality materials and assembles them by experienced and qualified staffs, this ensures the end-products are in perfection to satisfy any tests carried. All of our moulding products have life time guarantee.

Customers are welcome to choose from our widest possible range of profiles, include exquisite designs for parapets, window architraves, window-sills, stringers, arches, quoins, keystones, pier-caps, fence caps etc. Of course, we care of our customers' need so that we are able to design profiles to meet customers' specified requirements.

The mouldings come from us ensure all of the classical, historical or contemporary elements of architecture are complemented and preserved.

Australian Profile supplies mouldings in standard length of 2.4 and 3 metres, or the length is able to be cut and assembled by customers' special requested.

Australian Profile also provides installation services which conduct by our experience staffs and/or specially chosen contractors so that ensures the quality of services are constant and in excellence.

Australian Profile provides start-to-end, worry-free services to our valuable customers at all time.

Please feel free to contact us on our latest profiles brochures, special promotions or any other information.



15-17 Strong Avenue,
Thomastown, VIC 3074

Telephone: +61(3) 9462 5369
Fax: +61(3) 94626310

Website: www.australianprofile.com.au
Email: queries@australianprofile.com.au





Light-Weight Concrete Architecture Mouldings

<p>No. 001</p>  <p>H: 90mm x W: 30mm</p> <p>No. 006a</p>  <p>H: 90mm x W: 45mm</p> <p>No. 014</p>  <p>H: 120mm x W: 30mm</p> <p>No. 028</p>  <p>H: 110mm x W: 25mm</p> <p>No. J2</p>  <p>H: 130mm x W: 90mm</p> <p>No. 044</p>  <p>H: 145mm x W: 80mm</p>	<p>No. 002</p>  <p>H: 110mm x W: 40mm</p> <p>No. 007</p>  <p>H: 90mm x W: 40mm</p> <p>No. 015</p>  <p>H: 95mm x W: 45mm</p> <p>No. 028a</p>  <p>H: 135mm x W: 33mm</p> <p>No. J3</p>  <p>H: 120mm x W: 30mm</p> <p>No. 047</p>  <p>H: 130mm x W: 45mm</p>	<p>No. 003</p>  <p>H: 70mm x W: 40mm</p> <p>No. 008</p>  <p>H: 100mm x W: 35mm</p> <p>No. 016</p>  <p>H: 90mm x W: 30mm</p> <p>No. 029</p>  <p>H: 95mm x W: 20mm</p> <p>No. 039</p>  <p>H: 140mm x W: 50mm</p> <p>No. 047A</p>  <p>H: 90mm x W: 35mm</p>	<p>No. 004</p>  <p>H: 75mm x W: 40mm</p> <p>No. 010</p>  <p>H: 110mm x W: 45mm</p> <p>No. 017</p>  <p>H: 60mm x W: 20mm</p> <p>No. J1</p>  <p>H: 110mm x W: 25mm</p> <p>No. 039A</p>  <p>H: 110mm x W: 30mm</p> <p>No. 049</p>  <p>H: 130mm x W: 70mm</p>	<p>No. 005</p>  <p>H: 90mm x W: 25mm</p> <p>No. 012</p>  <p>H: 80mm x W: 35mm</p> <p>No. 019</p>  <p>H: 125mm x W: 65mm</p> <p>No. 030</p>  <p>H: 130mm x W: 25mm</p> <p>No. 040</p>  <p>H: 135mm x W: 80mm</p> <p>No. 050</p>  <p>H: 135mm x W: 60mm</p>	<p>No. 006</p>  <p>H: 75mm x W: 40mm</p> <p>No. 013</p>  <p>H: 65mm x W: 40mm</p> <p>No. 023</p>  <p>H: 70mm x W: 20mm</p> <p>No. 031</p>  <p>H: 130mm x W: 40mm</p> <p>No. 041</p>  <p>H: 148mm x W: 57mm</p> <p>No. 050A</p>  <p>H: 120mm x W: 60mm</p>
--	---	--	---	---	---



Light-Weight Concrete Architecture Mouldings



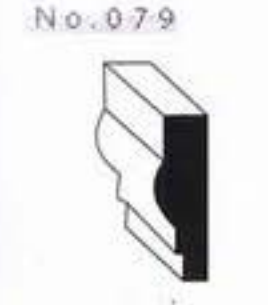
H: 130mm x W: 40mm



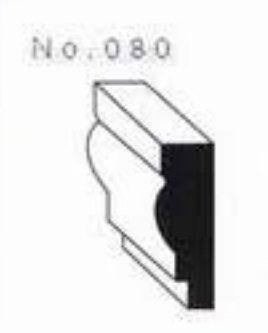
H: 190mm x W: 60mm



H: 240mm x W: 120mm



H: 70mm x W: 20mm



H: 95mm x W: 25mm



H: 147mm x W: 92mm



H: 210mm x W: 60mm



H: 255mm x W: 100mm



H: 75mm x W: 20mm



H: 120mm x W: 30mm



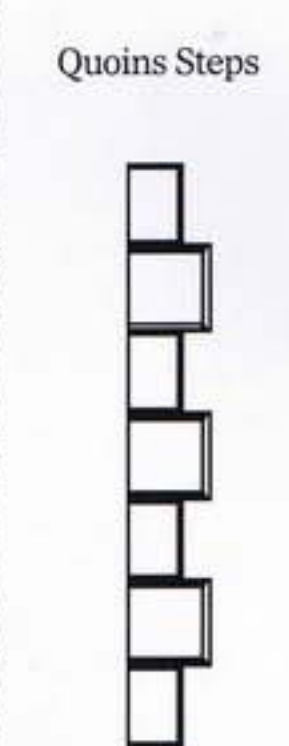
H: 120mm x W: 35mm



H: 137mm x W: 115mm



H: 217mm x W: 200mm



1.8 metres length



H: 190mm x W: 90mm



H: 190mm x W: 140mm



H: 120mm x W: 116mm



1.8 metres length



H: 210mm x W: 120mm



H: 195mm x W: 90mm



H: 200mm x W: 200mm



120mm x 1.8 metres or
240mm x 1.8 metres



370mm x 370 mm or
370mm x 490 mm or
490mm x 490 mm



H: 170mm x W: 95mm

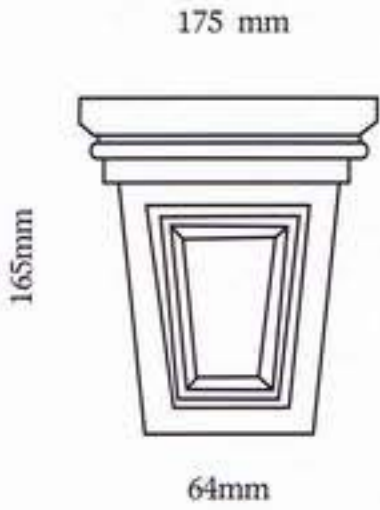


H: 195mm x W: 80mm

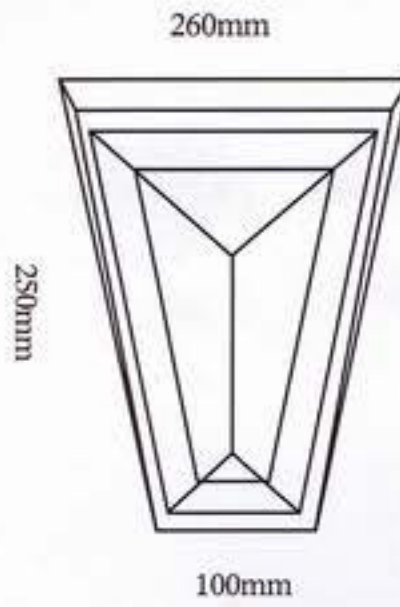


H: 270mm x W: 140mm

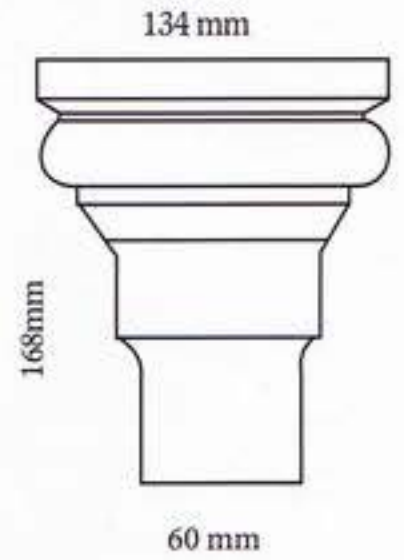
No. 82



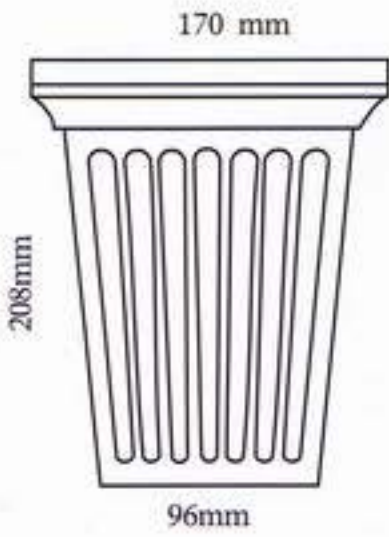
No. 83



No. 84



No. 85



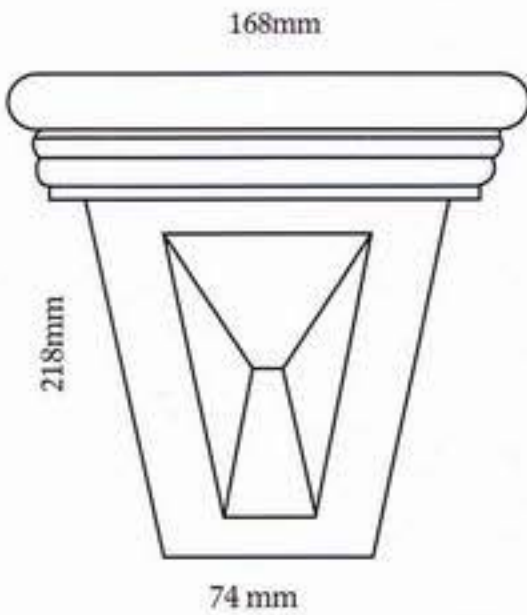
No. 86



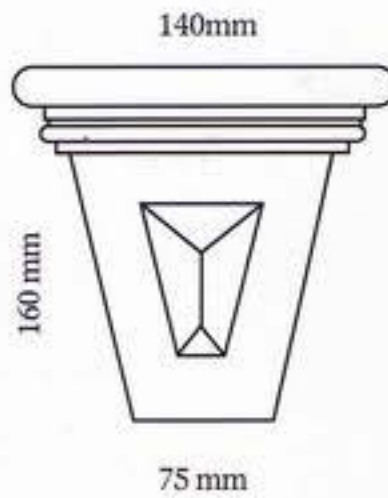
No. 87



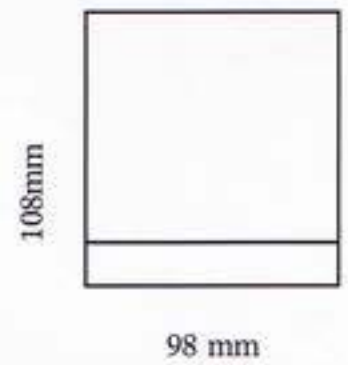
No. 89



No. 90



No. 88



No.91

